

The valves series PEV with pedal are available in a wide range:

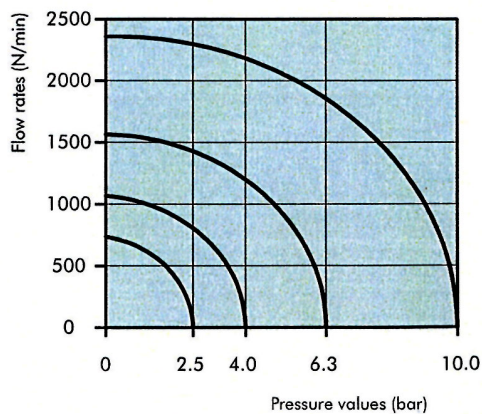
- 5/2 1/4" monostable and bistable with guarded pedal
- 3/2 M5 monostable, pedal not guarded
- 3/2 Ø 4 monostable, pedal not guarded
- 3/2 M5 in monostable and bistable configuration with guarded pedal
- 3/2 Ø 4 in monostable and bistable configuration with guarded pedal



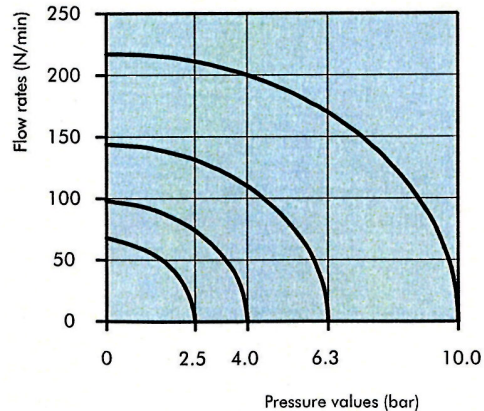
TECHNICAL DATA

Valve fitting port	Ø 4	M5	1/4"
Fluid	Filtered air without lubrication; lubrication, if used, must be continuous		
Type	Mono/ bistable guarded Monostable not guarded	Monostable not guarded Mono/ bistable guarded	Mono/ bistable guarded -
Operating pressure	2.5 ÷ 10 bar - 0.25 ÷ 1 MPa - 36 ÷ 145 psi		
Operating temperature range	-10°C + 60°C		
Nominal diameter	2.5 mm	2.5 mm	7.5 mm
Conductance C	16.5 NI/min · bar	16.5 NI/min · bar	264.26 NI/min · bar
Critical ratio b	0.03 bar/bar	0.03 bar/bar	0.32 bar/bar
Flow rate at 6.3 bar P 0.5 bar	60 NI/min	60 NI/min	640 NI/min
Flow rate at 6.3 bar P 1 bar	95 NI/min	95 NI/min	840 NI/min
Compatibility with oils:	please refer to page 6.1/08		

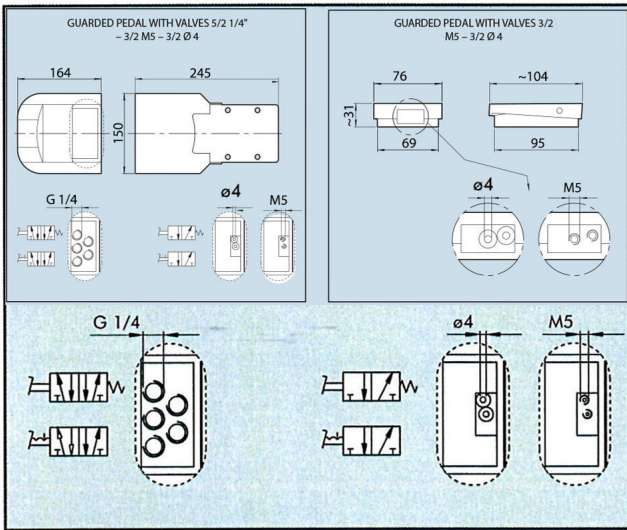
FLOW CHARTS for 1/4"



FLOW CHARTS for M5/Ø 4 mm

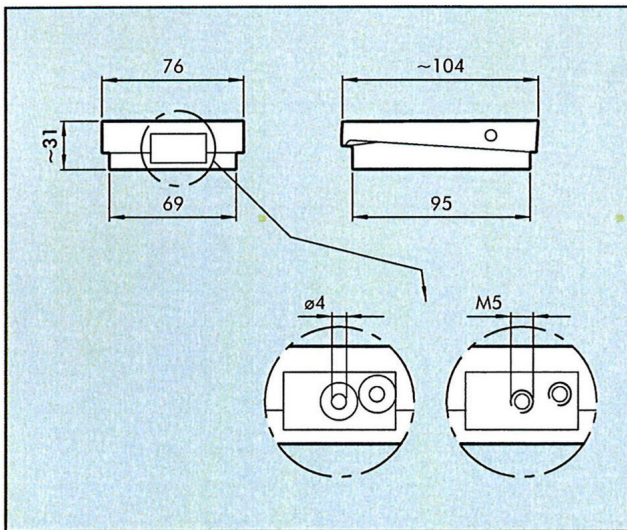


GUARDED PEDAL WITH VALVES 5/2 1/4" - 3/2 M5 - 3/2 Ø 4



Symbol	Description	Abbrev.	Code	Weight [g]
	5/2 - 1/4" monostable, guarded	PEV 35 PES PR	513.106	1027
	5/2 - 1/4" bistable guarded	PEV 35 PEB PR	513.107	1035
	3/2 M5 monostable, guarded	PEV 03 PES PR	513.102	883
	3/2 Ø 4 monostable, guarded	PEV F3 PES PR	513.103	887
	3/2 M5 bistable, guarded	PEV 03 PEB PR	513.104	890
	3/2 Ø 4 bistable, guarded	PEV F3 PEB PR	513.105	914

NOT-GUARDED PEDAL WITH VALVES 3/2 M5 - 3/2 Ø 4



Symbol	Description	Abbrev.	Code	Weight [g]
	3/2 - M5 monostable not guarded	PEV 03 PES WP	513.100	188
	3/2 Ø 4 monostable not guarded	PEV F3 PES WP	513.101	192

KEY TO CODES

P	E	V	F	3	P	E	C	W	P	
FAMILY			DIMENSIONS		OPERATION 14		REPEATED OPERATION 12		FURTHER DETAILS	
PEV	Valve with pedal		3	1/4	3	3/2	S	mech. Springs	WP	not guarded
			0	M5	5	5/2	C	mechanical block	PR	guarded
			F	Ø 4			B	bistable		

Summary Art. No. foot-operated valves

Type No.	Art. No.
513.100	106662
513.101	106663
513.102	106664
513.103	106665
513.104	106666
513.105	106667
513.106	106668
513.107	106669